



THIS IS FISHER GUIDE



DIVISION



GENERAL MOTORS CORPORATION





A Quick Look at Fisher Guide Division...

Organized in mid-1984 from five former Fisher Body Division plants and the Guide Division, [Flint Manufacturing was assigned to Fisher Guide in 1986] Fisher Guide Division today is one of the world's largest manufacturers of automotive components.

The division employs approximately 24,000 men and women, operates 11 plants in the United States, Mexico, and Europe, and is a partner in three joint ventures in Europe and Asia.

Fisher Guide Division is organized along business group lines to meet more effectively the challenges of the rapidly changing auto industry. The business group structure [three product groups and a development group] crosses many traditional disciplines and has the inherent ability to focus on its customers' needs with greater responsiveness.

The three product groups—Exterior, Lighting, and Door Systems and Vehicle Hardware—manufacture a wide variety of components, ranging from plastic moldings to headlamps and from fuel tanks to door lock systems.

The Development Group does the research, testing, and advanced product and process engineering necessary to support the product groups.

Administrative support is provided by six staff functions—Finance, Manufacturing Operations, Marketing, Materials Management and Quality Assurance, Personnel, and Public Relations—all located at the Divisional Offices in Warren, Michigan.

Responsibility for the operation, direction, and focus of the division is vested in the Fisher Guide Division Executive Committee [consisting of the six staff members, four business group managers and the general manager] and the Operations Committee which includes the executive committee, managers of the manufacturing plants, and other key executives.



Door Systems and Vehicle Hardware Product Group

Based at Warren Divisional Offices, the Door Systems and Vehicle Hardware Group (DSVH) is responsible for a multitude of automotive components, including power and manual door lock systems, window regulators, and seat adjusters. It has responsibility for four manufacturing plants:

Columbus Plant

This 1.7-million-square-foot plant was built in 1945, employs 2,700 people, and produces power and manual door lock systems, door frames, hood and decklid latches, power decklid releases and pull-downs, and aluminum moldings.

Flint Coldwater Road Plant

Built in 1953, this 2-million-square-foot plant employs 1,700 people. It produces power and manual window regulators, door and decklid hinges, headliners, and small steel stampings.

Flint Manufacturing Plant

The newest member of the Fisher Guide organization, the 3.7-million-square-foot complex dates back to 1915. Some 4,000 men and women produce a variety of engine parts, exhaust systems, fuel tanks, grilles, doors, and plastic and sheet metal parts.

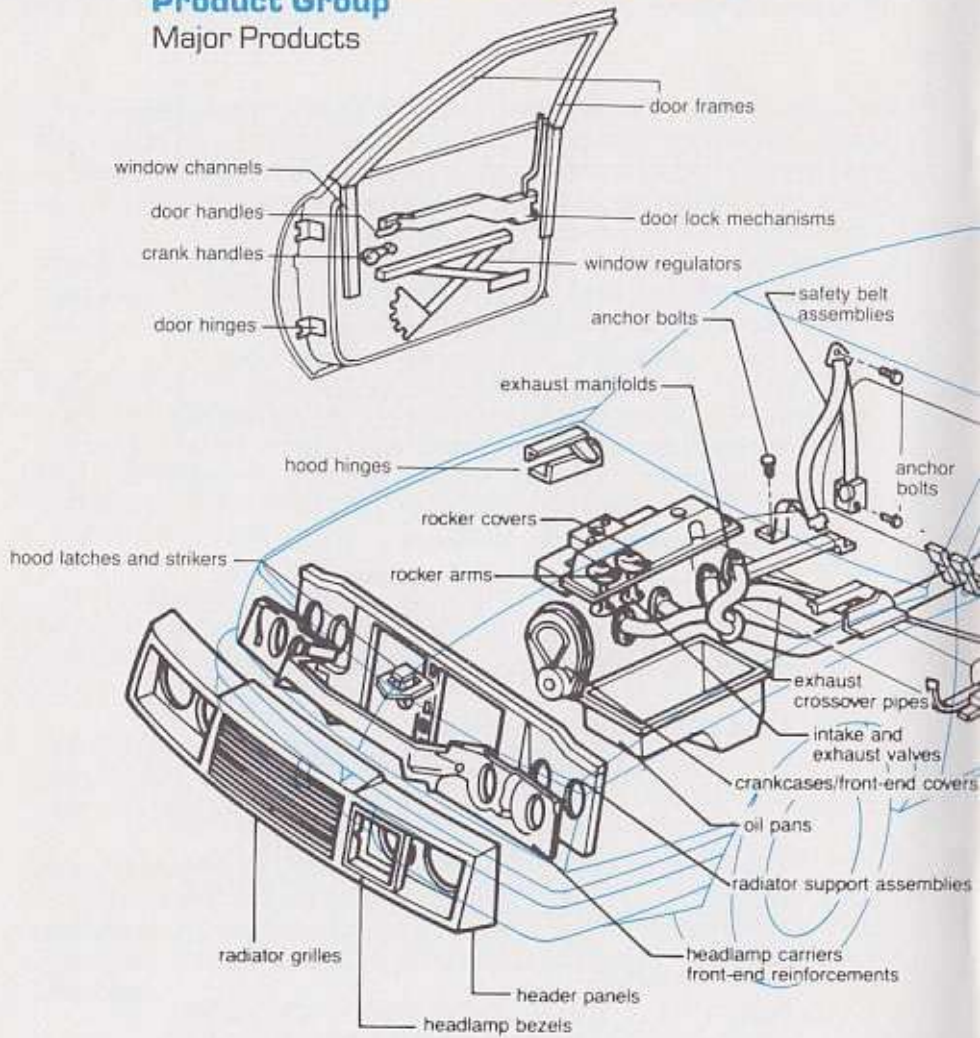
Trenton Plant

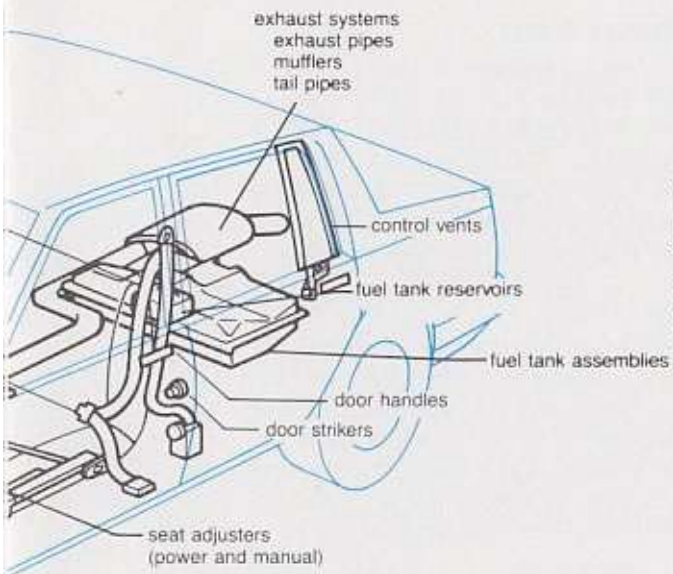
Built in 1937, the 1.1-million-square-foot facility employs 3,200 people and produces power and manual seat adjusters, door handles and window cranks, fixed and adjustable vent windows, and metal, plastic, and bi-laminate moldings.



Door Systems and Vehicle Hardware Product Group

Major Products





Other products:

lift gate systems
for station wagons
and hatch backs

2nd/3rd seat hardware
van doors
engine covers (vans)



Exterior Product Group

The Exterior Product Group is responsible for a number of auto-related products, including various moldings, fascias, energy absorbers, and stationary windows.

Detroit Fort Street Plant

Started in 1917 by auto pioneer Alva K. Ternstedt to build window lifts, today's 1.5-million-square-foot facility employs 1,700 people in the production of door hinges, hatch roofs, door panels, and related interior trim. The plant is scheduled to be phased out by the end of 1989 model year production.

Anderson Plant Nine

Located in Fisher Guide's Anderson, Indiana, manufacturing complex, Plant 9 is dedicated to the production of reaction injected molded (RIM) bumper fascias for several GM models. Used in combination with energy absorbers, the system is known as Guide-Flex. Approximately 750 people are employed in the 568,000-square-foot plant.

Matamoros (Rimir) Mexico Plant

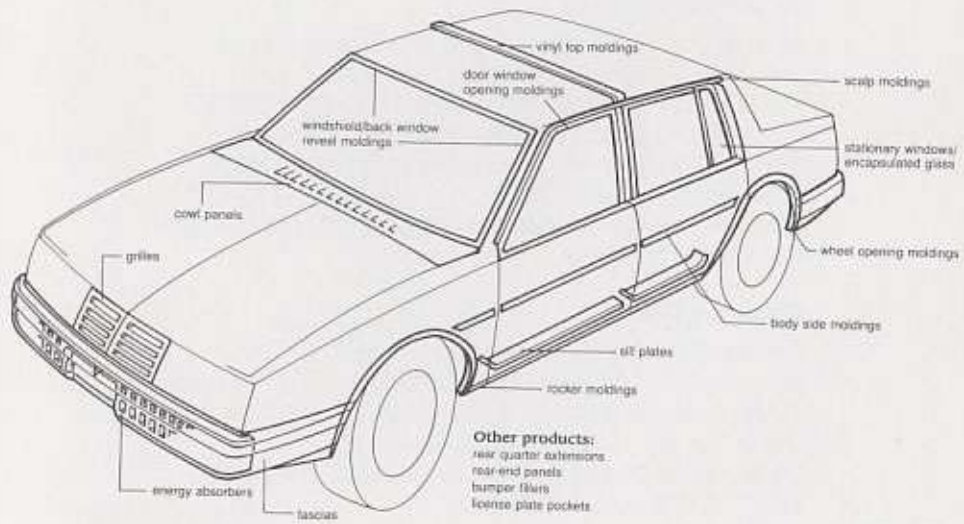
The 230,000-square-foot plant is located across the Rio Grande River from Brownsville, Texas. It employs 1,000 people in the production of RIM fascias for GM vehicles.

Syracuse Plant

The 850,000-square-foot plant, built in 1953, employs 1,500 people in one of the world's largest injection molding facilities. The plant produces a variety of plastic parts, ranging from armrests to bumper filler strips.

Exterior Product Group

Major Products





Lighting Product Group

The Lighting Product Group is centered in Anderson, Indiana, and is responsible for the design, manufacture and sale of automotive lighting systems and related components. With its roots in the former Guide Motor Lamp Company [founded in 1906], the group continues its tradition of being on the leading edge of lighting technology.

Anderson Plants

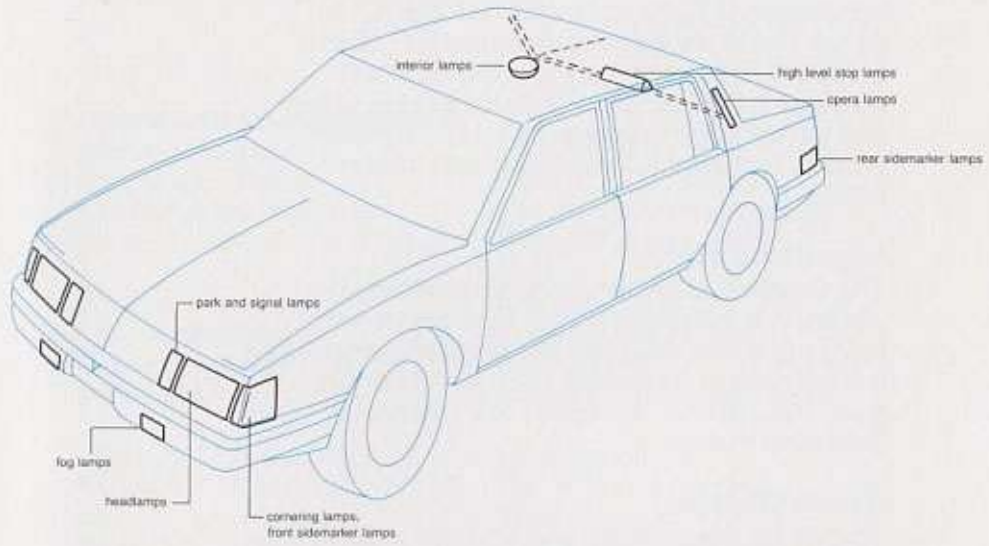
Nearly 5,000 employees are located at the 3-million-square-foot multi-plant Anderson, Indiana, complex where a wide range of lighting and related products are engineered, tested, and manufactured. The Anderson plants also have responsibility for such products as Twilight Sentinel, Guide-Matic, and electronic retractable headlamp controls.

Monroe Plant

Located in northern Louisiana, the 400,000-square-foot Monroe plant employs 1,000 people in the manufacture of automotive headlamps for domestic and foreign manufacturers. Established in 1974, the plant is a world leader in headlamp manufacturing.

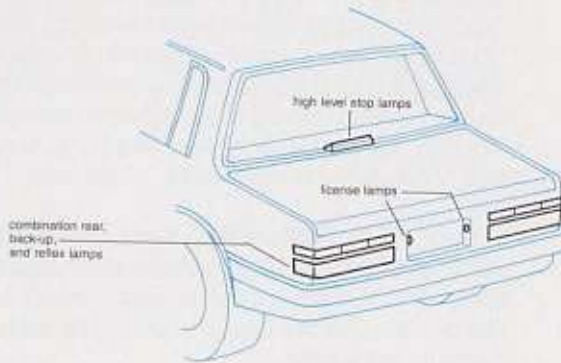
Lighting Product Group

Major Products



Electronic Products

Gurde-Matic
Twilight Sentinel
retractable headlamp electronic motor control
daytime running lamp electronic module





Fisher Guide Division's overseas plants and joint ventures are the responsibility of the division's Manufacturing Operations Staff located in Warren, Michigan.

Dundonald, Ireland

Located near Belfast, Northern Ireland, two Fisher Guide plants comprise the 360,000-square-foot manufacturing complex which employs 1,200 people. Products include safety belt systems for European and U.S. vehicles, window regulators, door locks, and interior lamps.

Logrono, Spain

The smallest of Fisher Guide's manufacturing plants, the 1982-built, 210,000-square-foot facility employs 450 people. The plant produces a number of components such as headliners, door trim, grilles, bumpers, and fascias for European markets.

Joint Ventures

The Yorka, Spain, plant was started in 1953 as a small, locally owned firm located near Barcelona. Specializing in lighting products for the automotive industry, Yorka has grown to become Spain's largest manufacturer in the lighting business. In 1985, one year after GM's former Guide Division bought a majority interest, Yorka's sales to European and U.S. automakers reached approximately \$31 million [U.S.].

In mid-1986, Fisher Guide formed two joint ventures to build and market products for the emerging Korean automobile market. In both instances, Fisher Guide is an equal with its local Korean partners.

Sung San is located in Taegu, Korea, and builds exterior lighting systems.

Koram Plastics is headquartered in Seoul, Korea, and manufactures front and rear energy-absorbing bumper systems.

Divisional Offices:

Fisher Guide Division
General Motors Corporation
6600 E. 12 Mile Road
Warren, Michigan 48090

Fisher Guide Division Plants:

Anderson Operations
Fisher Guide Division
2915 Pendleton Avenue
Anderson, Indiana 46011

Columbus Plant
Fisher Guide Division
200 Georgesville Road
Columbus, Ohio 43228

Detroit Fort Street Plant
Fisher Guide Division
6307 W. Fort Street
Detroit, Michigan 48209

Flint Coldwater Road Plant
Fisher Guide Division
G-1245 E. Coldwater Road
Flint, Michigan 48559

Flint Manufacturing Plant
Fisher Guide Division
300 N. Chevrolet Avenue
Flint, Michigan 48555

Monroe Plant
Fisher Guide Division
Milhaven Road
Monroe, Louisiana 71211

Syracuse Plant
Fisher Guide Division
1000 Town Line Road
Syracuse, New York 13201

Trenton Plant
Fisher Guide Division
1445 Parkway Avenue
Trenton, New Jersey 08605

**For information about Fisher Guide Division,
domestic/foreign facilities or joint ventures, contact:**

Fisher Guide Division
Public Relations Staff
6600 E. 12 Mile Road
Warren, Michigan 48090
(313) 578-3247

